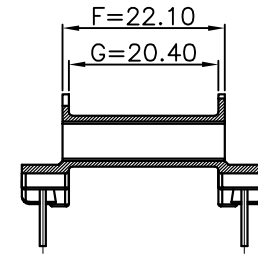
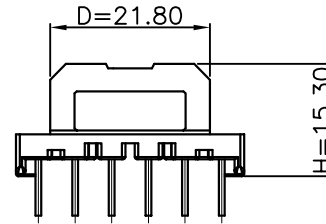
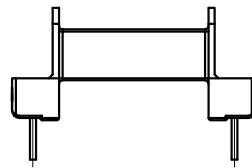
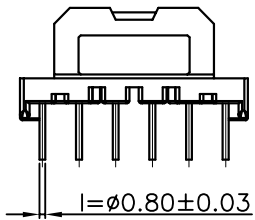
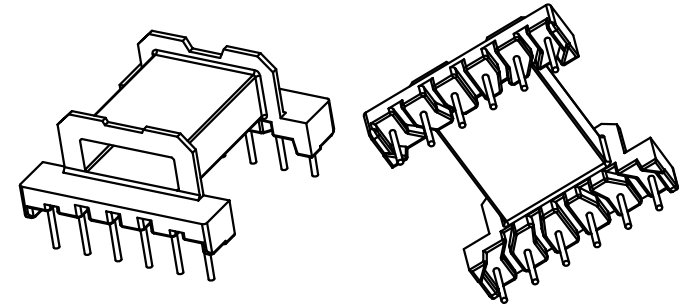
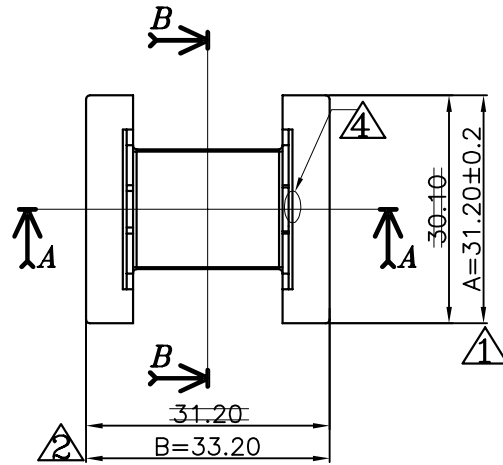
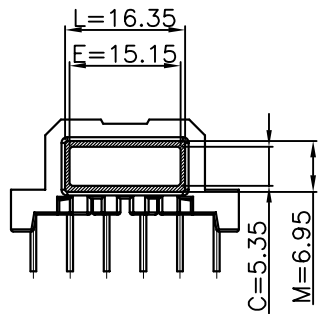


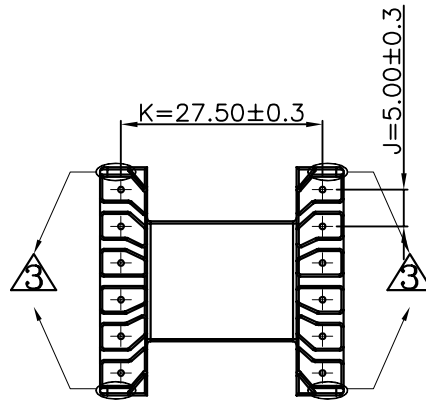
TOLERANCE	
0≤L≤4	±0.1
4≤L≤16	±0.2
16≤L≤50	±0.3
50≤L≤63	±0.4
63≤L≤75	±0.5
75≤L≤100	±0.7



SECTION A-A



SECTION B-B



△	TOP 부 돌기 삭제					
△	BOTTOM 부 외의각 가림막 추가 (4 EA)					
△	B 치수 2.0mm 증가					
△	A 치수 1.0mm 증가					
MARK	REVISION NOTE	DATE	DRAWN	CHECKED	APPROVED	
DRAWN	CHECKED	APPROVED	MATERIAL : PHENOL	UL REC. : UL94V-0	THIRD ANGLE PROJ.	SCALE : 1/1
KM, Seo	SH, Kim	C, Park	Z : PIN LENGTH (According to customer's request)	DATE : 2015.04.18	PIN TENSILE FORCE : 1.0 Kgf	UNIT : m/m
주식회사 대흥보빈 DAE HEUNG BOBBIN CO., LTD			TITLE EFD 31*30 "H" (12P) (B)		DWG NO DH-130910-7042-01	